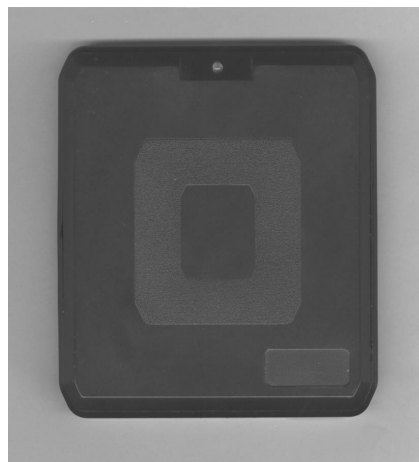
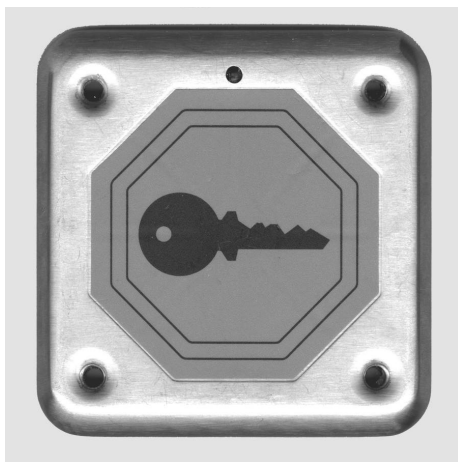


# READYKEY K2000 Series Readers & Mounting Brackets

## Specification Sheet



### Description

Two readers that are available for use with the Readykey K2000 Series Door Controllers are the K2001 and the K2002 Readers. The two readers include an LED to indicate valid access. Both readers are low profile and weatherproof and can be mounted behind non-ferrous materials without any adverse effect on readability.

The reader technology is Touchfree (proximity) with a read range of up to two inches (5 cm). The readers can be mounted outdoors without additional environmental protection, and operate from  $-49^{\circ}\text{F}$  to  $122^{\circ}\text{F}$  ( $-45^{\circ}\text{C}$  to  $50^{\circ}\text{C}$ ), within a relative humidity of 0% to 90% non-condensing.

The readers are powered from the door controller and do not require an additional power supply. They are capable of operation up to 3,000 ft. (914 m) from the K2000, K2100, and K2200 Door Controllers using standard 22 AWG (0.8 mm), 4-conductor cable. The status of the reader and the cabling is monitored and includes tamper indication.

### K2001 Reader

The K2001 is a low profile reader constructed from a durable black plastic. This reader can be flush or surface mounted, bracketed, or concealed behind glass, plaster work or any other non-metallic surface. It has an approximate read range of 2 in. (51 mm) and serves one access point. The LED turns green to indicate valid access. Otherwise, it is red.

### K2002 Vandal Resistant Reader

The K2002 Vandal Resistant reader is constructed from durable, heavy gauge stainless steel (0.07 inch, 14 gauge). It has a 0.5 in. (12.7 mm) read range from one direction only, and can be surface mounted with tamper resistant screws. The K2002 serves one access point. The LED turns green to indicate valid access. Otherwise, it is off.

### K2016 Mounting Bracket

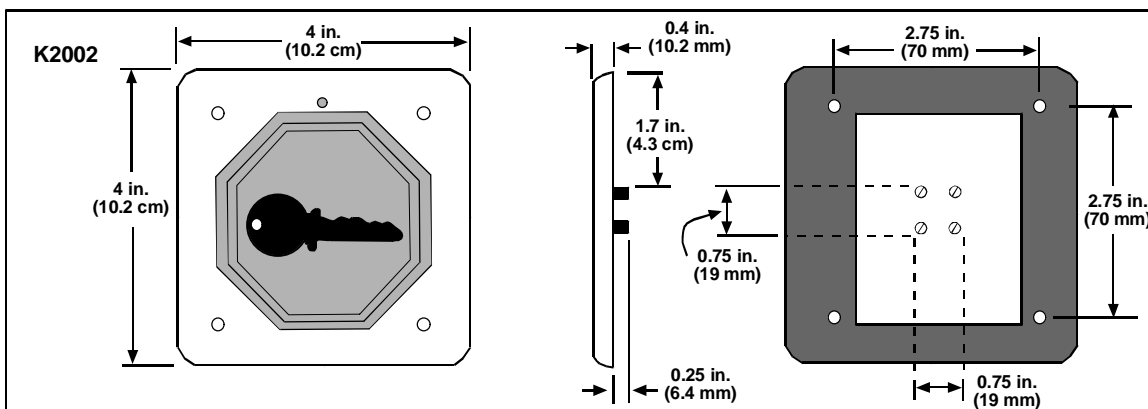
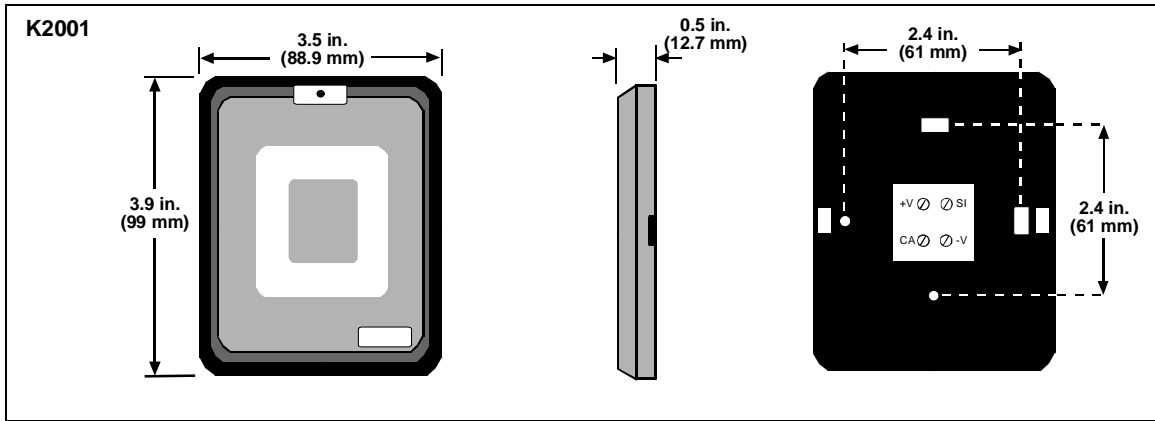
The K2016 Mounting Bracket is made from a durable black plastic. It is used to mount the K2001 Reader to a metal door/window frame to hold the reader behind glass.

### K2017 Mounting Bracket for the K2001

The K2017 Mounting Bracket is a plastic adapter plate suitable for mounting the K2001 onto an electrical outlet box.

### K2018 Mounting Bracket for the K2002

The K2018 Mounting Bracket is a metal adapter plate suitable for mounting the K2002 onto an electrical outlet box.



### K2001 and K2002 Specifications

Operating Voltage	10-18 VDC at the Reader	
Current Requirements	90 mA	
Read Range	K2001 = 2 in. (50.8 mm) K2002 = 0.5 in. (12.7 mm)	
Compatible Keys	K2010 Electronic Keys	
Cable Type	4-wire, 22 AWG (0.8 mm) alarm cable	
K2000 to Reader	Up to 3,000 ft. (914 m)	
Environment	Temperature	-31 to 140°F (-35 to 60°C)
	Relative Humidity	0 to 90% Non-condensing.
	The humidity for UL294 listed Applications is 0-85%.	

### K2016 Specifications

Compatible Reader	K2001
Parts Included	Two 8 x .75 inch screws, and Two 6 x .313 inch screws

### K2017 and K2018 Specifications

Refer to *K2017 / K2018 Mounting Brackets Installation Instructions* (P/N: 74-06665-000).

